

Speaker / Electronic Horn / Heavy Duty Electronic Horn



		Speaker	Electronic Horn		Heavy Duty Electronic Horn			
Model		AUP-B	AUP-EWH		AUP-EWM-A	AUP-EWM-B	AUP-EWM-C	
Voltage		AC110V ~ 220V DC12V ~ 24V	AC110V ~ 220V DC12V / DC24 / DC48V		AC110V ~ 220V DC12V / DC24V / DC48V			
Dimension (mm)	Diameter	78 X 78	116 x 116	Ø210	116	120	134	134
	Height	-	-	-	196	161	154	154
	Depth	58	220	306	223	120	242	325
Material		ABS resin	ABS resin	ABS resin	Horn - ABS resin / Body - AL 7 type A AC7A			
Timbre & Volume	Melody	4 Sounds 90dB	3 Sounds 115dB	3 Sounds 125dB	3 Sounds 115dB		3 Sounds 130dB	
	Buzzer	4 Sounds 90dB	3 Sounds 115dB	3 Sounds 125dB	3 Sounds 115dB		3 Sounds 130dB	
	Siren	-	3 Sounds 115dB	3 Sounds 125dB	3 Sounds 115dB		3 Sounds 130dB	
Mounting structure		Panel buried	Self stand		Wall mounted		Direct mounted	
Max. Output		-	25W	35W	25W / 35W	25W	25W	50W
Cable entry								
Customization		-	15W / 20W	-	-	-	-	-
Page		p.62	p.64	p.64	p.65	p.65	p.66	p.66



AUP-B Series

Panel Mounted Speaker



Nomenclature



AUP - B - **①** - **②**
 Panel Mounted Speaker Basic sound Voltage

①
AM: Melody
AB: Buzzer
AV: Voice

②
110 / 220 :
 AC110V ~ 220
12 / 24 :
 DC12V ~ 24V

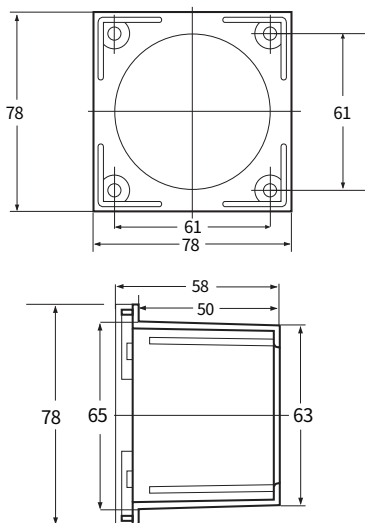
Technical Diagram

Unit: mm



AUP-B

Panel Mounted Speaker



- Although it is small in size, it makes a clear, high capacity sound.
- A panel style buzzer and alarm made with 4 channels. Users can choose the timbre based on the channel selection.
- Clear and fine sound in 8 harmonies
- Users can control 5 types of melodies and 7 types of buzzers according to the selected combination
- Volume control is provided on the reverse side of the product.
- Buzzer volume : Max. 90dB
- Material : ABS resin
- Operating Temperature : -25°C – +50°C

Customization

- Users can control sound combinations through the DIP switches in the product (See Page 63)
 If changing user settings is too difficult, the default setting is available when deciding order specifications.



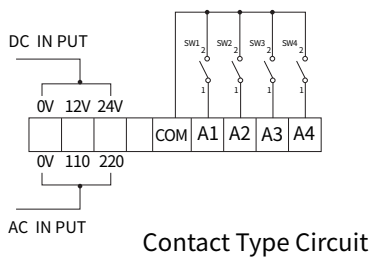
MODEL	Embedded sound				Voltage	Current	Weight
	Warning sound	Channel	Basic Timbre	Volume			
AUP-B	Melody (AM) DIP switch No. 2, 3, 4 ON	A1	Turkish March	90dB	AC110V ~ AC220V	0.5(A)	272g
		A2	Piano Sonata				
		A3	Home Sweet Home				
		A4	Fur Elise				
	Buzzer (AB) DIP switch No. 1, 2 ON	A1	bee~bee~bee		AC12V ~ AC24V	1.2(A)	184g
		A2	Dingdong				
		A3	bee-ee				
		A4	bee bee bee bee				

- ⊙ Timbre combination can be changed with the DIP switch in the product and external channel sockets.
- ⊙ Volume can be adjusted by lightly turning the dial with a Phillips head screwdriver.

Timbre Table

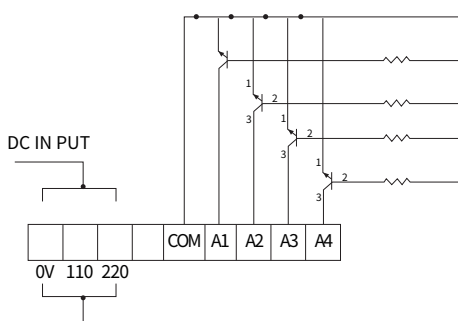
- ⊙ It can be changed to use DIP switch and input pin channel adjustment, depending on the user's selection.

Circuit Diagram



DIP Switch Adjustment	Input Pin			
	A1	A2	A3	A4
All OFF	Dingdongdang	Piano Sonata	Magic Flute	Home Sweet Home
No 1 ON	Dingdong	Telephone bell	bee bee peep	Dingdongdang
No 2 ON	Magic Flute	Piano Sonata	Fur Elise	Telephone bell
No 3 ON	Piano Sonata	Turkish March	Home Sweet Home	Magic Flute
No 4 ON	Fur Elise	Turkish March	Home Sweet Home	bee bee bee bee
No 1, 2 ON	bee~bee~bee	Dingdong	bee-ee	bee bee bee bee
No 1, 3 ON	Magic Flute	Fur Elise	Turkish March	Home Sweet Home
No. 1, 4 ON	Magic Flute	Home Sweet Home	Telephone bell	Dingdongdang
No. 2, 3 ON	Magic Flute	Turkish March	Piano Sonata	bee bee bee bee
No. 2, 4 ON	Home Sweet Home	Magic Flute	Turkish March	Dingdong
No. 3, 4 ON	Magic Flute	Home Sweet Home	Dingdong	Telephone bell
No. 1, 2, 3 ON	Fur Elise	Home Sweet Home	Magic Flute	Piano Sonata
No. 1, 2, 4 ON	Magic Flute	Turkish March	Home Sweet Home	bee~bee~bee
No. 1, 3, 4 ON	Magic Flute	Piano Sonata	Home Sweet Home	Dingdongdang
No. 2, 3, 4 ON	Turkish March	Piano Sonata	Home Sweet Home	Fur Elise
No. 1, 2, 3, 4 ON	Piano Sonata	Magic Flute	Fur Elise	Turkish March

	Transistor	Contact-free Relay
Type	NPN Transistor (2SC & 2SD)	Current output-type for DC load (open collector)
Withstand Voltage	Vc > 12V	
Current Capacity	IC > 10mA (10mA or more)	
Leakage Current	ICBD > 0.1mA (0.1mA or lower)	
Allowable Voltage	VAST < 1V (1V or lower)	



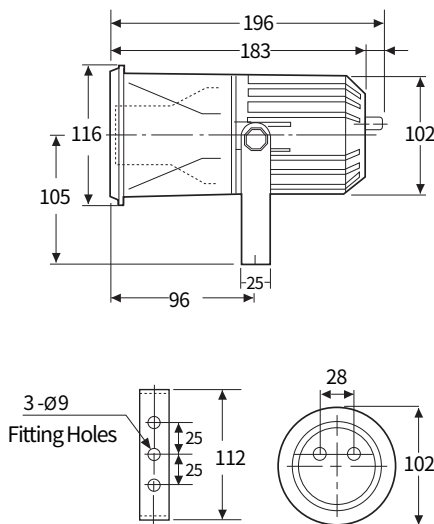
How to Use TR and SSR



AUP-EWH-25W

Technical Diagram

Unit: mm



AUP-EWH-35W

Nomenclature

AUP - EWH -	①	—	②	—	③
	Output		Sound		Voltage
Electronic Horn	25W : 25W		AS : Siren		110 / 220 : AC110V ~220
			AM : Melody		12 : DC12V
	35W : 35W		AB : Buzzer		24 : DC24V
			AV : Voice		48 : DC48V



AUP-EWH

Electronic Horn

- ⊙ 3 siren sounds, 3 melody sounds, and 3 buzzer sounds can be selected according to the operator's purpose.
- ⊙ The device is equipped with a volume switch for easier volume adjustment
- ⊙ The device is equipped with a timbre switch for easier timbre change
- ⊙ Light and solid manufacturing
- ⊙ Buzzer volume Max. 115 ~ 125dB
- ⊙ Material : ABS resin
- ⊙ Operating Temperature : -25°C - +50°C

MODEL	Embedded sound		Volume	Voltage & Current	Weight
	Sound	Basic timbre			
AUP-EWH 25W	Siren AS	Fire	115dB	AC110V / 220V compatible: 0.113A	AC : 1174g DC : 1122g
		Emergency	115dB		
		Urgent	115dB		
	Melody AM	The Magic Flute	115dB	DC12V : 2.21A	
		Home Sweet Home	115dB		
		Fur Elise	115dB		
	Buzzer AB	bee bee bee bee	115dB	DC24V : 1.02A	
		Ding dong	115dB		
		beep ~ beep ~ beep	115dB		
AUP-EWH 35W	Siren AS	Fire	125dB	AC110V / 220V compatible: 0.122A	AC : 1431g DC : 1379g
		Emergency	125dB		
		Urgent	125dB		
	Melody AM	The Magic Flute	125dB	DC12V : 2.44A	
		Home Sweet Home	125dB		
		Fur Elise	125dB		
	Buzzer AB	bee bee bee bee	125dB	DC24V : 1.19A	
		Ding dong	125dB		
		beep ~ beep ~ beep	125dB		

Customization

- ⊙ 15W customized consultation is possible.
- ⊙ Voice signal (Voice sound) is selectable as a ordering specification (Voice sound type DC12V / 24V compatible)
- ⊙ 4 sounds, including melodies and Piano Sonata, and 4 sounds including buzzer and bee~~~bee~~~ sounds can be ordered.



AUP-EWM-A



AUP-EWM-B

Nomenclature

AUP - EWM -	①	-	②	-	③	-	④
	Type		Output		Sound		Voltage
Heavy Duty Electronic Horn	A Type		25W : 25W		AS : Siren		110 / 220 : AC110V ~ 220
	B Type		35W : 35W		AM : Melody AB : Buzzer		12 : DC12V 24 : DC24V 48 : DC48V



AUP - EWM - A

Heavy Duty Electronic Horn

- ⊙ A cable gland is equipped on the housing terminal box
- ⊙ Aluminum housing structure with excellent durability
- ⊙ Suitable for outdoor, shipping, and heavy industry with completely waterproofed structure
- ⊙ Buzzer volume Max. 115dB
- ⊙ Material : Aluminum housing + ABS resin Signal Horn
- ⊙ Operating Temperature : -25°C - +50°C
- ⊙ 25W / 35W two types of maximum outputs are available.

* See on Page 64

MODEL	Output	Sound*	Volume	Voltage	Weight
AUP-EWM-A	25W	Siren AS	115dB	AC110V ~ 220V	AC : 3067g DC : 3040g
		Melody AM	115dB	DC12V	
		Buzzer AB	115dB	DC24V DC48V	
	35W	Siren AS	115dB	AC110V ~ 220V	
		Melody AM	115dB	DC12V	
		Buzzer AB	115dB	DC24V DC48V	



AUP - EWM - B

Heavy Duty Electronic Horn

- ⊙ The housing is equipped with a flexible connector
- ⊙ Buzzer volume Max. 115dB
- ⊙ 25W of maximum output is available

* See on Page 64

MODEL	Output	Sound*	Volume	Voltage	Weight
AUP-EWM-B	25W	Siren AS	115dB	AC110V ~ 220V	AC : 2121g DC : 2101g
		Melody AM	115dB	DC12V	
		Buzzer AB	115dB	DC24V DC48V	



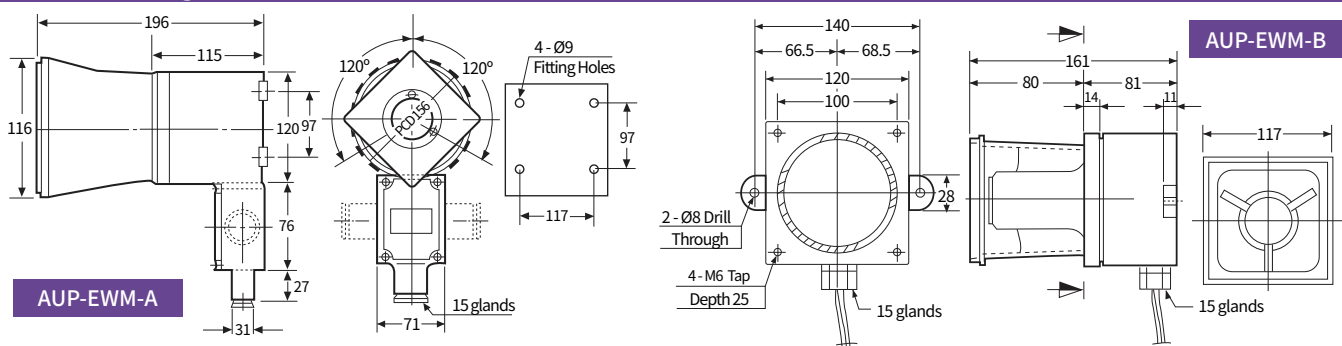
Cable Glands



Flexible Connector

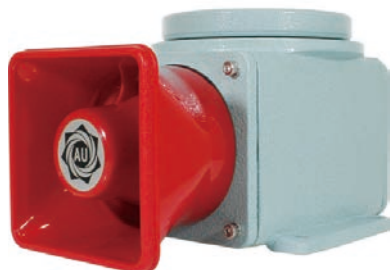
Technical Diagram

Unit: mm





Nomenclature



AUP-EWM-C 25W

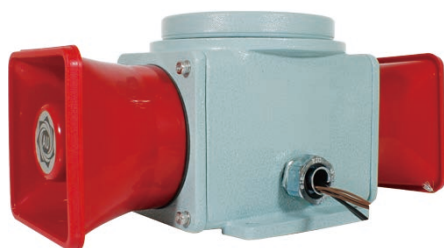
AUP - EWM -	①	-	②	-	③	-	④
	Type		Output		Sound		Voltage
Heavy Duty Electronic Horn	C Type		25W : 25W		AS : siren		110 / 220 :
			50W : 50W		AM : Melody		AC110V ~220
					AB : Buzzer		12 : DC12V
							24 : DC24V
							48 : DC48V



AUP - EWM - C

Heavy Duty Electronic Horn

- ⊙ The housing is equipped with a flexible connector.
- ⊙ Excellent durability of aluminum housing structure
- ⊙ Suitable for heavy industry with completely waterproofed structure
- ⊙ With high capacity, suitable for places with loud noise or that require left and right direction
- ⊙ Material : Aluminum housing + ABS resin Horn
- ⊙ Operating Temperature : -25°C ~ +50°C
- ⊙ 25W (One-way) / 50W (Two-way) of maximum output, with Electronic Horn

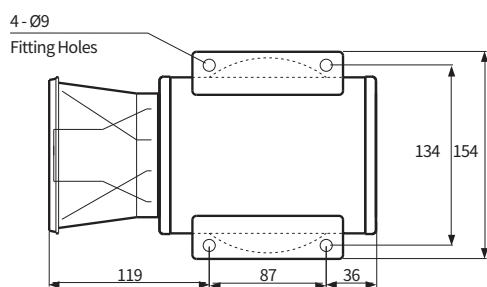


AUP-EWM-C 50W

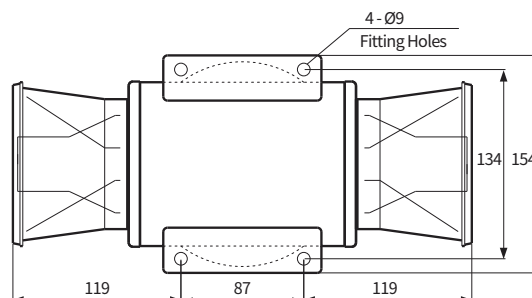
MODEL	Embedded sound		Volume	Voltage	Weight
	Sound	Basic timbre (3 sounds)			
AUP-EWM-C 25W (One-Way)	Siren AS	Fire	115dB	AC110V ~ 220V	AC: 2796g DC: 2771g
		Emergency	115dB		
		Urgent	115dB		
	Melody AM	The Magic Flute	115dB	DC12V	
		Home Sweet Home	115dB		
		Fur Elise	115dB		
	Buzzer AB	bee bee bee bee	115dB	DC24V	
		Ding dong	115dB		
		bee~bee~bee~	115dB		
AUP-EWM-C 50W (Two-Way)	Siren AS	Fire	130dB	AC110V ~ 220V	
		Emergency	130dB		
		Urgent	130dB		
	Melody AM	The Magic Flute	130dB	DC12V	
		Home Sweet Home	130dB		
		Fur Elise	130dB		
	Buzzer AB	bee bee bee bee	130dB	DC24V	
		Ding dong	130dB		
		bee~bee~bee~	130dB		
				DC48V	DC: 3628g

Technical Diagram

Unit: mm



AUP-EWM-C-25W



AUP-EWM-C-50W