

Speaker / Electronic Horn / Heavy Duty Electronic Horn



		Speaker	Electronic Horn			Heavy Duty Electronic Horn		
Model		AUP-B	AUP-EWH			AUP-EWM-A	AUP-EWM-B	AUP-EWM-C
Voltage		AC110V ~ 220V DC12V / DC24V	AC110V ~ 220V DC12V / DC24			AC110V ~ 220V DC12V / DC24V		
Dimension (mm)	Diameter	78 X 78	116 x 116	Ø210	116	120	134	134
	Height	-	-	-	196	161	154	154
	Depth	58	220	306	223	120	242	325
Material		ABS resin	ABS resin	ABS resin	Horn - ABS resin / Body - AL 7 type A AC7A			
Timbre & Volume	Melody	4 Sounds Max. 90 dB	3 Sounds Max. 115 dB	3 Sounds Max. 120 dB	3 Sounds Max. 120 dB	3 Sounds Max. 115 dB	3 Sounds Max. 115 dB	3 Sounds Max. 120 dB
	Buzzer Siren							
Mounting structure		Panel buried	Self stand		Wall mounted		Direct mounted	
Max. Output		-	25W	35W	25W / 35W	25W	25W	50W
Cable entry								
Customization		-	15W order specifications	-	-		-	
Page		p.67	p.69	p.69	p.70	p.70	p.71	p.71



## AUP-B Series

### Panel Mounted Speaker



### Nomenclature



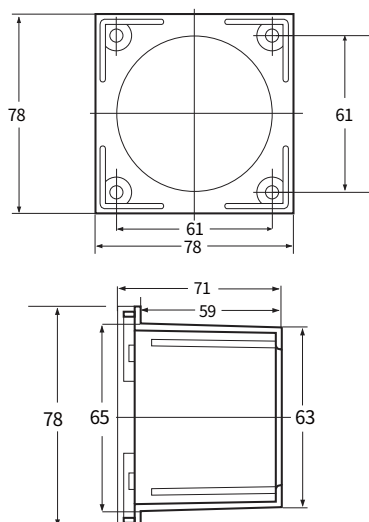
**AUP - B -** 1 - 2  
 Panel Mounted Speaker      Basic sound      Voltage

**①**  
 AM: Melody  
 AB: Buzzer  
 AV: Voice

**②**  
**110 / 220 :**  
 AC110V ~ 220  
**12 / 24 :**  
 12 : DC12V  
 24 : DC24V

### Technical Diagram

Unit: mm



### AUP-B

### Panel Mounted Speaker

- Although it is small in size, it makes a clear, high capacity sound
- A panel style buzzer and alarm made with 4 channels. Users can choose the timbre based on the channel selection
- Clear and fine sound in 8 harmonies
- Users can control 5 types of melodies and 7 types of buzzers according to the selected combination
- Volume control is provided on the reverse side of the product
- Buzzer volume : Max. 90dB
- Material : ABS resin
- Operating Temperature : -25 ~ 50°C

### Customization

- Users can control sound combinations through the DIP switches in the product ( See Page 68 )  
 If changing user settings is too difficult, the default setting is available when deciding order specifications.



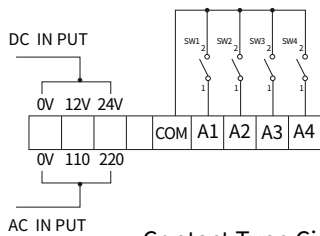
MODEL	Embedded sound			Volume	Voltage	Current	Weight
	Channel	Timbre					
AUP-B	A1	Melody (AM) DIP switch No. 2, 3, 4 ON	Turkish March	Max. 90 dB	AC110V ~ AC220V	0.5(A)	272g
	A2		Piano Sonata				
	A3		Home Sweet Home				
	A4		Fur Elise				
	A1	Buzzer (AB) DIP switch No. 1, 2 ON	bee~bee~bee		DC12V ~ DC24V	1.2(A)	184g
	A2		Dingdong				
	A3		bee-ee				
	A4		bee bee bee bee				

- ⊙ Timbre combination can be changed with the DIP switch in the product and external channel sockets
- ⊙ Volume can be adjusted by lightly turning the dial with a Phillips head screwdriver

### Timbre Table

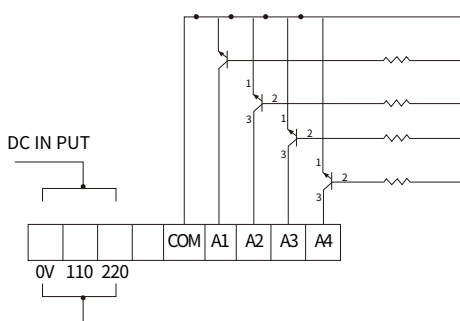
- ⊙ It can be changed to use DIP switch and input pin channel adjustment, depending on the user's selection

### Circuit Diagram



Contact Type Circuit

	Transistor	Contact-free Relay
Type	NPN Transistor (2SC & 2SD)	Current output-type for DC load (open collector)
Withstand Voltage	$V_c > 12V$	
Current Capacity	$I_C > 10mA$ (10mA or more)	
Leakage Current	$I_{CDB} > 0.1mA$ (0.1mA or lower)	
Allowable Voltage	$V_{AST} < 1V$ (1V or lower)	



How to Use TR and SSR

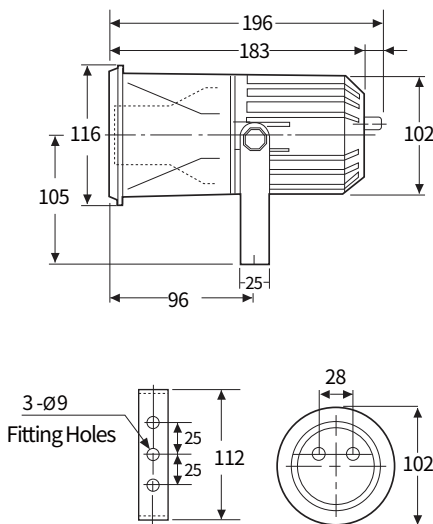
DIP Switch Adjustment	Input Pin			
	A1	A2	A3	A4
All OFF	Dingdongdang	Piano Sonata	Magic Flute	Home Sweet Home
No 1 ON	Dingdong	Telephone bell	bee bee peep	Dingdongdang
No. 2 ON	Magic Flute	Piano Sonata	Fur Elise	Telephone bell
No 3 ON	Piano Sonata	Turkish March	Home Sweet Home	Magic Flute
No 4 ON	Fur Elise	Turkish March	Home Sweet Home	bee bee bee bee
No 1, 2 ON	bee~bee~bee	Dingdong	bee-ee	bee bee bee bee
No 1, 3 ON	Magic Flute	Fur Elise	Turkish March	Home Sweet Home
No. 1, 4 ON	Magic Flute	Home Sweet Home	Telephone bell	Dingdongdang
No. 2, 3 ON	Magic Flute	Turkish March	Piano Sonata	bee bee bee bee
No. 2, 4 ON	Home Sweet Home	Magic Flute	Turkish March	Dingdong
No. 3, 4 ON	Magic Flute	Home Sweet Home	Dingdong	Telephone bell
No. 1, 2, 3 ON	Fur Elise	Home Sweet Home	Magic Flute	Piano Sonata
No. 1, 2, 4 ON	Magic Flute	Turkish March	Home Sweet Home	bee~bee~bee
No. 1, 3, 4 ON	Magic Flute	Piano Sonata	Home Sweet Home	Dingdongdang
No. 2, 3, 4 ON	Turkish March	Piano Sonata	Home Sweet Home	Fur Elise
No. 1, 2, 3, 4 ON	Piano Sonata	Magic Flute	Fur Elise	Turkish March



**AUP-EWH-25W**

### Technical Diagram

Unit: mm



**AUP-EWH-35W**

## Nomenclature

<b>AUP - EWH -</b>	<b>①</b>	<b>-</b>	<b>②</b>	<b>-</b>	<b>③</b>
	Output		Timbre		Voltage
Electronic Horn	25W : 25W 35W : 35W		AS : Siren AM : Melody AB : Buzzer AV : Voice		110 / 220 : AC110V ~220 12 : DC12V 24 : DC24V



## AUP-EWH

## Electronic Horn

- ⊙ 3 siren sounds, 3 melody sounds, and 3 buzzer sounds can be selected according to the operator's purpose.
- ⊙ The device is equipped with a volume switch for easier volume adjustment
- ⊙ The device is equipped with a timbre switch for easier timbre change
- ⊙ Light and solid manufacturing
- ⊙ Buzzer volume Max. 115 ~ 120dB
- ⊙ Material : ABS resin
- ⊙ Operating Temperature : -25 ~ 50°C

MODEL	Embedded sound		Volume	Voltage & Current	Weight
	Timbre				
AUP-EWH 25W	Siren AS	Fire	Max. 115 dB	AC110V / 220V compatible: 0.113A	AC : 1174g DC : 1122g
		Emergency			
		Urgent			
	Melody AM	The Magic Flute	Max. 115 dB		
		Home Sweet Home			
		Fur Elise			
Buzzer AB	bee bee bee bee	Max. 115 dB	DC24V : 1.02A		
	Ding dong				
	beep ~ beep ~ beep				
AUP-EWH 35W	Siren AS	Fire	Max. 120 dB	AC110V / 220V compatible: 0.122A	AC : 1431g DC : 1379g
		Emergency			
		Urgent			
	Melody AM	The Magic Flute	Max. 120 dB		
		Home Sweet Home			
		Fur Elise			
Buzzer AB	bee bee bee bee	Max. 120 dB	DC24V : 1.19A		
	Ding dong				
	beep ~ beep ~ beep				

## Customization

- ⊙ 15W customized consultation is possible
- ⊙ Voice signal (Voice sound) is selectable as a ordering specification
- ⊙ 4 sounds, including melodies and Piano Sonata, and 4 sounds including buzzer and bee~~~bee~~~ sounds can be ordered



**AUP-EWM-A**



**AUP-EWM-B**

### Nomenclature

<b>AUP - EWM -</b>	<b>①</b>	-	<b>②</b>	-	<b>③</b>	-	<b>④</b>
	Type		Output		Timbre		Voltage
Heavy Duty Electronic Horn	A Type		25W : 25W 35W : 35W		AS : Siren AM : Melody AB : Buzzer		110 / 220 : AC110V ~ 220 12 : DC12V 24 : DC24V
	B Type						



### AUP - EWM - A

### Heavy Duty Electronic Horn

- A cable gland is equipped on the housing terminal box
- Aluminum housing structure with excellent durability
- Suitable for ships and heavy industries
- Buzzer volume Max. 115dB
- Material : Aluminum housing + ABS resin Signal Horn
- Operating Temperature : -25 ~ 50°C
- 25W / 35W two types of maximum outputs are available

\* See on Page 69

MODEL	Output	Timbre*	Volume	Voltage	Weight
AUP-EWM-A	25W	Siren AS	Max. 115 dB	AC110V ~ 220V DC12V DC24V	AC : 3067g DC : 3040g
		Melody AM			
		Buzzer AB			
	35W	Siren AS	Max. 120 dB	AC110V ~ 220V DC12V DC24V	AC : 3324g DC : 3297g
		Melody AM			
		Buzzer AB			



### AUP - EWM - B

### Heavy Duty Electronic Horn

- The housing is equipped with a flexible connector
- Buzzer volume Max. 115dB
- 25W of maximum output is available

\* See on Page 69

MODEL	Output	Timbre*	Volume	Voltage	Weight
AUP-EWM-B	25W	Siren AS	Max. 115 dB	AC110V ~ 220V DC24V	AC : 2121g DC : 2101g
		Melody AM			
		Buzzer AB			



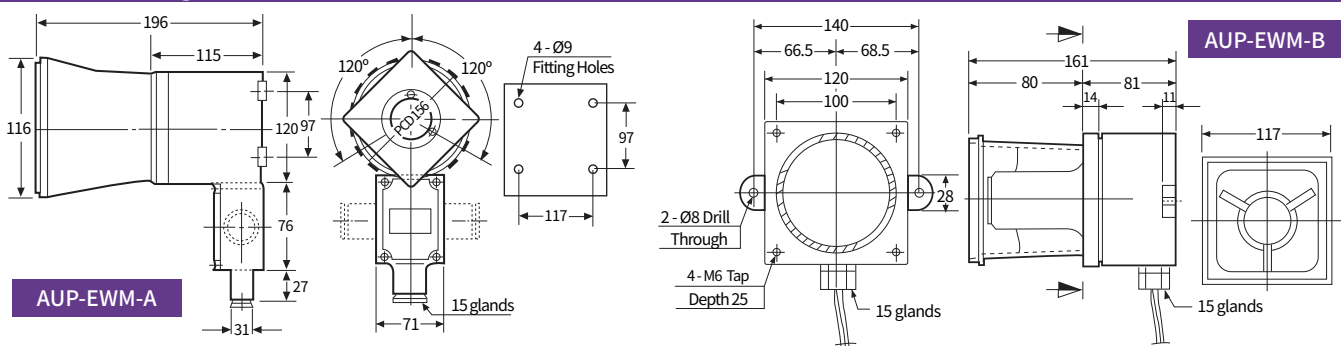
Cable Glands



Flexible Connector

### Technical Diagram

Unit: mm





### Nomenclature



**AUP-EWM-C 25W**

<b>AUP - EWM -</b>	<b>①</b>	<b>-</b>	<b>②</b>	<b>-</b>	<b>③</b>	<b>-</b>	<b>④</b>
	Type		Output		Timbre		Voltage
Heavy Duty Electronic Horn	<b>C Type</b>		<b>25W : 25W</b> <b>50W : 50W</b>		<b>AS : siren</b> <b>AM : Melody</b> <b>AB : Buzzer</b>		<b>110 / 220 :</b> <b>AC110V ~220</b> <b>12 : DC12V</b> <b>24 : DC24V</b>



### AUP - EWM - C

### Heavy Duty Electronic Horn

- ⊙ The housing is equipped with a flexible connector.
- ⊙ Excellent durability of aluminum housing structure
- ⊙ Suitable for ships and heavy industries
- ⊙ With high capacity, suitable for places with loud noise or that require left and right direction
- ⊙ Material : Aluminum housing + ABS resin Horn
- ⊙ Operating Temperature : -25 ~ 50°C
- ⊙ 25W (One-way) / 50W (Two-way) of maximum output, with Electronic Horn

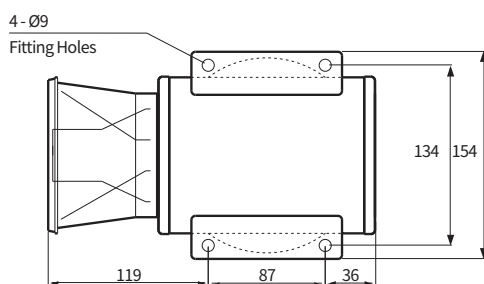


**AUP-EWM-C 50W**

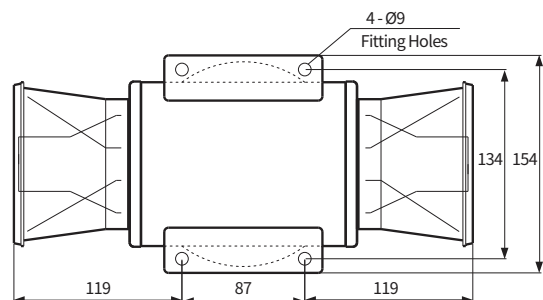
MODEL	Embedded sound		Volume	Voltage	Weight
	Timbre				
AUP-EWM-C 25W (One-Way)	Siren AS	Fire	Max. 115 dB	AC110V ~ 220V	AC: 2796g DC: 2771g
		Emergency			
		Urgent			
	Melody AM	The Magic Flute	Max. 115 dB		
		Home Sweet Home			
		Fur Elise			
Buzzer AB	bee bee bee bee	Max. 115 dB			
	Ding dong				
	bee~bee~bee~				
AUP-EWM-C 50W (Two-Way)	Siren AS	Fire	Max. 120 dB	AC110V ~ 220V	AC: 3678g
		Emergency			
		Urgent			
	Melody AM	The Magic Flute	Max. 120 dB		
		Home Sweet Home			
		Fur Elise			
Buzzer AB	bee bee bee bee	Max. 120 dB			
	Ding dong				
	bee~bee~bee~				

### Technical Diagram

Unit: mm



**AUP-EWM-C-25W**



**AUP-EWM-C-50W**