

## LED Signal Tower Light



		LED Signal Tower Light			
Type		AUT-L	AUT-LF	AUTN-L	AUTN-LF
Bulb	Steady	•		•	
	Flashing		•		•
Service voltage		AC110V ~ AC220V DC12V / DC24V		AC110V ~ AC220V DC12V ~ DC24V	
Material		Lens - GPPS Body - ABS / Reflector - PC		Lens - Optical expansion PC Body - ABS / Reflector - PC	
Output		Power type / Contact type		Power type / Contact type	
Layers		1 - 5 layers		1 - 5 layers	
Dimensions (mm)	Outdia	Ø58		Ø58	
	Height	410 mm ~ 576 mm ( mounted on SH20 )		410 mm ~ 576 mm ( mounted on SH20 )	
	Depth	-		-	
Buzzer volume		80dB ~ 85dB		80dB ~ 85dB	
Color change by layer		Available		Available	
Mounting method		Horizontal (SH20, SH08, SH04) / Vertical (SV20, SV06) / Direct connection (G) / Adjustable Angle (AP20, AP06)			
Customization		Buzzer / Melody / Pole length selection / Horizontal type + Magnet attachment			
Page		p.43	p.43	p.44	p.44

## Ethernet / Device Net / USB LED / Connector / LED 40 Design Signal Tower Light



		Ethernet	Device Net	USB	Connector	LED Ø40
Type		AUT-EN	AUT-DN	AUT-U	AUT-CO	AUT-40
Bulb	Steady		•	•	•	•
	Flashing	•		•		•
Service voltage		AC110V ~ 220V / DC24V	DC24V	DC5V	DC12V ~ 24V	DC12V ~ 24V
Material		Lens - GPPS Body - ABS / Reflector - PC	Lens - GPPS Body - ABS / Reflector - PC	Lens - GPPS Body - ABS / Reflector - PC	Lens - GPPS Body - ABS / Reflector - PC	Lens / Body / Cover/ Cap - PC
Layers		1~4 layers	1~5 layers	1~5 layers	1~5 layers	3,5 layers
Dimensions (mm)	Outdia	Ø58	Ø58	Ø58	Ø58	Ø40
	Height	410 mm ~ 534.5 mm *	210.5 mm ~ 376.5 mm *	410 mm ~ 576 mm *	305 mm ~ 467 mm *	270 mm / 330 mm *
	Depth	-	-	-	-	-
Buzzer volume		80dB ~ 85dB	83dB ~ 90dB	83dB ~ 90dB	90dB	90dB
Color change by layer		Available	Available	Available	Available	Unavailable
Mounting method		Horizontal (SH20,SH08,SH04) Vertical (SV20,SV06)/Direct (G) Adjustable Angle(AP20,AP06)	Exclusive bracket	Horizontal (SH20,SH08,SH04) Vertical (SV20,SV06)/Direct (G) Adjustable Angle(AP20,AP06)	Vertical (SV06)	Direct (G)
Timbre		1 buzzer, 3 siren sounds	Buzzer	Buzzer	Buzzer	Buzzer
Page		p.46	p.47	p.48	p.49	p.49

\* SH20 Standard type



# AUT - L / LF Series

## Ø58 LED Steady / Flashing Signal Tower Light



AUT- L / AUT- LF



External volume adjustment

- LED Steady / Flashing type Signal Tower Light
- Excellent radiant effect achieved using special vacuum metallizing reflector together with high luminance LED.
- Operators can change color of each layer
- Color combinations other than standard
- Easy to maintain with globe and integrated interior structure
- Apart from the standard buzzer, 8 different melodies can be installed.
- Volume can be adjusted from the outside (Maximum volume 85dB)
- Mounting pole (length, type) are selectable (default SH20)
- Magnet mounted type is available for horizontal pole (SH).
- Material : **Lens** [GPPS], **Body** [ABS], **Reflector** [PC], **Pole** [Aluminum]
- Operating Temperature : -25°C ~ +50°C (freezing free)



### AUT-L / LF

### Ø58 LED Steady/Flashing Signal Tower Light

Type	L	Voltage	Current		Weight	Color
			LED	Buzzer		
AUT-L Steady type	1	AC110~220	12.5mA	15mA (AC)	348g (AC)	● Red(R)
		DC12V DC24V	40mA 50mA		312g (DC)	
	2	AC110~220	25mA	210mA (DC12V)	385g (AC)	● Red(R) ● Green(G)
		DC12V DC24V	80mA 100mA		349g (DC)	
	3	AC110~220	37mA	170mA (DC24V)	422g (AC)	● Red(R) ● Yellow(Y) ● Green(G)
		DC12V DC24V	110mA 135mA		386g (DC)	
	4	AC110~220	49mA	15mA (AC)	459g (AC)	● Red(R) ● Yellow(Y) ● Green(G) ● Blue(B)
		DC12V DC24V	140mA 170mA		423g (DC)	
	5	AC110~220	61mA	210mA (DC12V)	496g (AC)	● Red(R) ● Yellow(Y) ● Green(G) ● Blue(B) ○ White(W)
		DC12V DC24V	170mA 205mA		460g (DC)	
AUT-LF Flashing type	1	AC110~220	13mA	15mA (AC)	388g (AC)	● Red(R)
		DC12V DC24V	65mA 65mA		332g (DC)	
	2	AC110~220	26mA	210mA (DC12V)	425g (AC)	● Red(R) ● Green(G)
		DC12V DC24V	130mA 130mA		369g (DC)	
	3	AC110~220	38.5mA	170mA (DC24V)	462g (AC)	● Red(R) ● Yellow(Y) ● Green(G)
		DC12V DC24V	180mA 185mA		406g (DC)	
	4	AC110~220	51mA	15mA (AC)	499g (AC)	● Red(R) ● Yellow(Y) ● Green(G) ● Blue(B)
		DC12V DC24V	230mA 240mA		443g (DC)	
	5	AC110~220	63.5mA	210mA (DC12V)	536g (AC)	● Red(R) ● Yellow(Y) ● Green(G) ● Blue(B) ○ White(W)
		DC12V DC24V	280mA 295mA		480g (DC)	

### Beep output

Warning sound	Number of sounds	CH	Timbre
AB buzzer	1 sound		Monotone
AM Melody	4 sounds	1	Fur Elise
		2	Home Sweet Home
		3	The Magic Flute
		4	Piano Sonatas
AA Alarm	4 sounds	1	Beep ~ beep ~ beep
		2	Ding Dong
		3	Beep-ee
		4	Beep beep beep beep



**AUTN-L / AUTN-LF**



**Using PC Light Diffusion Lens**

### Product Features

- Using PC light diffusion lenses, light is subtle and luxurious.
- Available in AC and DC types.
- User Order Specifications Same as AUT-L / LF Series.

- LED Steady / Flashing type Signal Tower Light
- Excellent radiant effect achieved using special vacuum metallizing.
- Operators can change color of each layer
- Available in AC type ( AC110-220V ) and DC type ( DC12 to 24V )
- Apart from the standard buzzer, 8 different melodies can be installed.
- For melody / Alarm type, different sounds can be applied to each of up to 4 layers. See on p.43 table
- Volume can be adjusted from the outside (Maximum volume 85dB)
- Mounting pole (length, type) are selectable (default SH20)
- Material : **Lens** [GPPS], **Body** [ABS], **Reflector** [PC], **Pole** [Aluminum]
- Operating Temperature : -25°C ~ +50°C (freezing free)



### AUTN-L / LF

#### Ø58 LED Steady/Flashing Signal Tower Light

Type	L	Voltage	Current		Weight	Color	
			LED	Buzzer			
AUTN-L Steady type	1	AC110~220	14mA	15mA (AC)	348g(AC)	(1L) ● Red(R)	
		DC12~24	55mA		312g(DC)		
	2	AC110~220	28mA		385g(AC)	(1L) ● Red(R)	
		DC12~24	110mA		349g(DC)	(2L) ● GREEN(G)	
	3	AC110~220	41mA		422g(AC)	(1L) ● Red(R)	
		DC12~24	149mA		386g(DC)	(2L) ● YELLOW(Y) (3L) ● GREEN(G)	
	4	AC110~220	54mA		170mA (DC)	459g(AC)	(1L) ● Red(R)
		DC12~24	187mA			423g(DC)	(2L) ● YELLOW(Y) (3L) ● GREEN(G) (4L) ● BLUE (B)
	5	AC110~220	67mA			496g(AC)	(1L) ● Red(R)
		DC12~24	226mA			460g(DC)	(2L) ● YELLOW(Y) (3L) ● GREEN(G) (4L) ● BLUE (B) (5L) ○ WHITE(W)
AUTN-LF Flashing type	1	AC110~220	14mA	15mA (AC)		388g(AC)	(1L) ● Red(R)
		DC12~24	72mA			332g(DC)	
	2	AC110~220	29mA			425g(AC)	(1L) ● Red(R)
		DC12~24	143mA			369g(DC)	(2L) ● GREEN(G)
	3	AC110~220	42mA			462g(AC)	(1L) ● Red(R)
		DC12~24	204mA			406g(DC)	(2L) ● YELLOW(Y) (3L) ● GREEN(G)
	4	AC110~220	56mA		170mA (DC)	499g(AC)	(1L) ● Red(R)
		DC12~24	264mA			443g(DC)	(2L) ● YELLOW(Y) (3L) ● GREEN(G) (4L) ● BLUE (B)
	5	AC110~220	70mA			536g(AC)	(1L) ● Red(R)
		DC12~24	325mA			480g(DC)	(2L) ● YELLOW(Y) (3L) ● GREEN(G) (4L) ● BLUE (B) (5L) ○ WHITE(W)



### Nomenclature

1	2	3	4	5	6
Series	Type	Layers	Timbre	Voltage	Mounting accessories
<b>AUT</b>	L : Steady type	1 : 1 layer 2 : 2 layer	No mark : None AB : Buzzer	110/220 : AC110V ~ 220V 12 : DC12V	<b>SH20</b> : Horizontal 200mm <b>SH08</b> : Horizontal 80mm <b>SH04</b> : Horizontal 40mm <b>SV20</b> : Vertical 200mm <b>SV06</b> : Vertical 60mm <b>G</b> : Direct connection <b>AP20</b> : Adjustable Angle 200mm <b>AP06</b> : Adjustable Angle 60mm
<b>AUTN</b>	LF : Flashing type	3 : 3 layer 4 : 4 layer 5 : 5 layer	AM : Melody AA : Alarm	24 : DC24V	

### Technical Diagram & Wiring Instructions

Technical Diagram	Contact Type (AC/DC) Wiring Instructions	Power Type (AC/DC) Wiring Instructions

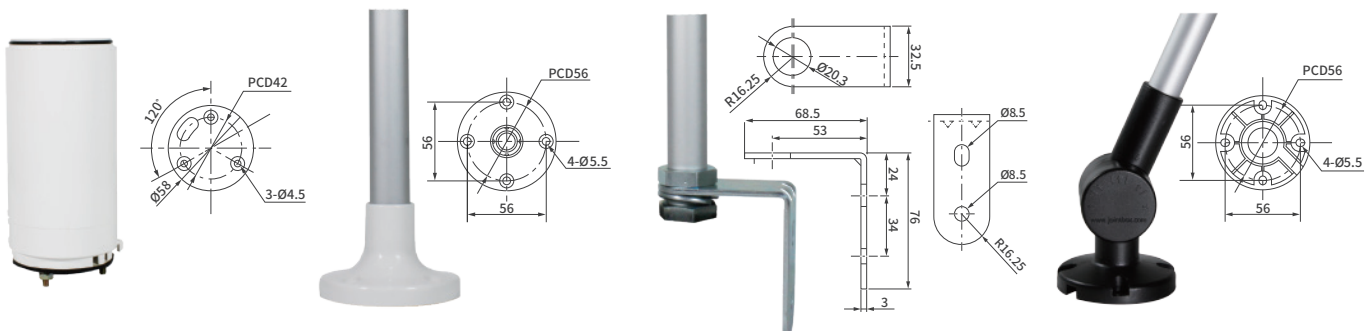
### Mounting accessories

Direct connection **G**

Horizontal **SH**

Vertical **SV**

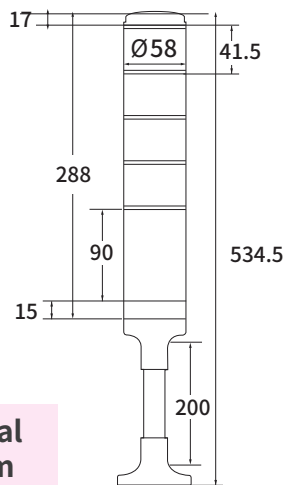
Adjustable Angle **AP**





AUT- EN Series

- A Signal Tower controlled by connecting internet or LAN
- Control with computer web browser or applications
- Can be used for remote control
- Separate utility provided to set IP address, subnet mask, and gateway
- Maximum 4 layers of LED flashing type
- 4 basic sounds (1 buzzer, 3 siren sounds) are provided
- Selectable mounting pole (length, type) (default SH20)  
Magnet mount available when horizontal pole (SH) is ordered as a user additional option.
- Maximum volume : 85dB
- Material : **Lens** [GPPS], **Body** [ABS], **Reflector** [PC], **Pole** [Aluminum]
- Operating Temperature : -25°C ~ +50°C (freezing free)



Technical Diagram



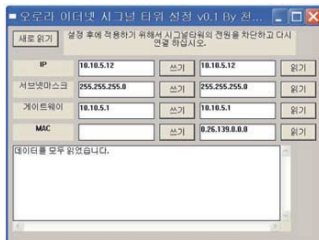
### AUT-EN

### Ø58 Ethernet Signal Tower Light

Type	Layers	Voltage	Weight	Timbre	Color
AUT-EN Ether Net	1	AC110~220V	505g	1 buzzer sounds alarm	Red(R)
		DC24V	414g		Green(G)
	2	AC110~220V	542g	3 siren sounds Urgent Emergency Fire	Red(R)
		DC24V	451g		Green(G)
	3	AC110~220V	579g	Yellow(Y)	Red(R)
		DC24V	488g		Green(G)
	4	AC110~220V	616g	Blue(B)	Red(R)
		DC24V	525g		Blue(B)

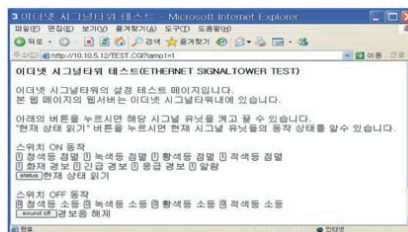
## How to Use & Connecting Diagram

### Setup tool



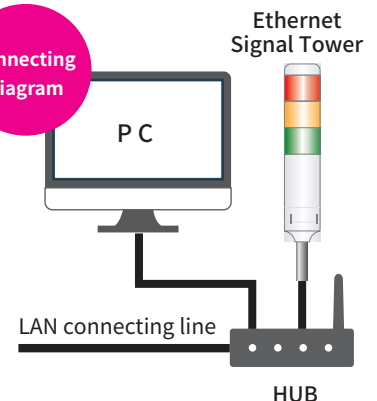
- It sets IPs, subnet masks, and gateways for signal towers.

### Webpage screen for testing



- A Signal Tower contains web server and web page, and the operation can be tested with web browser.

### Connecting diagram



## Nomenclature

AUT - EN

①

Layers

②

Voltage

③

Mounting accessories

Ethernet  
Signal Tower Light

- 1 : 1 Layer
- 2 : 2 Layers
- 3 : 3 Layers
- 4 : 4 Layers

- 110/220 : AC110V ~ 220V
- 24 : DC24V

- SH20 : Horizontal 200mm
- SH08 : Horizontal 80mm
- SH04 : Horizontal 40mm
- SV20 : Vertical 200mm
- SV06 : Vertical 60mm
- G : Direct connection
- AP20 : Adjustable Angle 200mm
- AP06 : Adjustable Angle 60mm



# AUT - DN Series

## Ø58 Device Net Signal Tower Light



AUT- DN Series

- ⊙ Signal Tower Light only for Device Net
- ⊙ Direct connection to network without separated I/O terminal for device net
- ⊙ Convenient to install and easy to maintain due to the smaller installation space and reduced wires.
- ⊙ Controlled by PLC device net master
- ⊙ Set the address (MAC ID) and communication speed with built in DIP switch
- ⊙ Supports all communication speeds (125kbps, 250kbps, 500kbps) in device net, and also supports automatic speed setting for convenient use.
- ⊙ Maximum volume : 90dB
- ⊙ Material : **Lens** [GPPS], **Body** [ABS], **Reflector** [PC]
- ⊙ Operating Temperature : -25°C ~ +50°C (freezing free)



### AUT- DN

### Ø58 Device Net Signal Tower Light

Type	Layers	Voltage	Height	Weight	Color
AUT-DN	1	DC24V	210.5mm	368g	● Red(R)
	2		252mm	405g	● Red(R) ● Green(G)
	3		293.5mm	442g	● Red(R) ● Yellow(Y) ● Green(G)
	4		335mm	479g	● Red(R) ● Green(G) ● Yellow(Y) ● Blue(B)
	5		376.5mm	516g	● Red(R) ● Blue(B) ● Yellow(Y) ● White(W) ● Green(G)

### Features

- ⊙ Built-in buzzer, Steady type and DC24V by default
- ⊙ Color moving by layer is possible
- ⊙ Buzzer function provided in addition to up to 5 colors of LED unit per Signal Tower.
- ⊙ Mount using the exclusive bracket

### Nomenclature

**AUT - DN -**  
Device Net  
Signal Tower Light

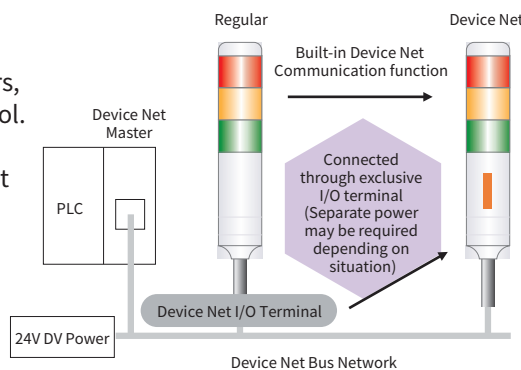
**①**  
Layers

**① Layers**

- 1 : 1 Layer
- 2 : 2 Layers
- 3 : 3 Layers
- 4 : 4 Layers
- 5 : 5 Layers

### ? What is Device Net?

- ⊙ Device net is a field bus for easy access among control devices such as PLC, PC, sensor, and actuator. Saves wiring cost, reduces the potential for wiring errors, is easy to maintain, and can be used for real-time control. It is CAN-based and strong on noise. As it allows mutual access among devices from different vendors, it enables more economical system establishment. Can remove a connected device from the network without stopping the whole network. An open style field that is used for a wide range of purposes.

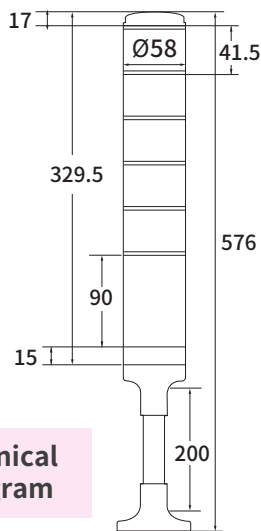


### Advantages of Device Net Signal tower

- Direct connection to network with built-in device net communication function (power line and signal line are integrated into single cable)
  - Saved space
  - Reduced wiring
  - Convenient installation & maintenance



**AUT- U Series**



**Technical Diagram**

- Signal Tower connected to USB port and controlled by programs on PC
- All signals and power are supplied together through a single USB cable (voltage DC5V)
- Can be used on a host that support USB 1.1 or higher
- Can be utilized for a range of purposes as a regular PC accessory
- Basic buzzer is embedded along with up to 5 layers and 5 colors of LED unit per a Signal Tower depending on the model
- Selectable mounting pole (length, type) (default SH20)
- Magnet mounted type is available with the optional horizontal pole (SH).
- Maximum volume : 90dB
- Material : **Lens** [GPPS], **Body** [ABS], **Reflector** [PC], **Pole** [Aluminum]
- Operating Temperature : -25°C ~ +50°C (freezing free)



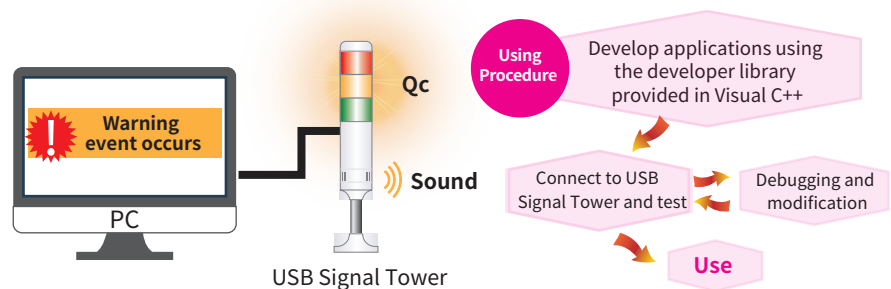
### AUT- U

### USB Signal Tower Light

Type	Layers	Voltage	Height	Weight	Color
AUT-U	1	DC5V	410mm	380g	● Red(R)
	2		451.5mm	419g	● Red(R) ● Green(G)
	3		493mm	458g	● Red(R) ● Yellow(Y) ● Green(G)
	4		534.5mm	497g	● Red(R) ● Green(G) ● Yellow(Y) ● Blue(B)
	5		576mm	536g	● Red(R) ● Blue(B) ● Yellow(Y) ○ White(W) ● Green(G)

### Use

- To inform of computer process status
- To provide warning signals to many people at a long distance without passing through a monitor
- For any warning message displayed on a computer



### Nomenclature

**AUT - U**

**①**

Layers

**②**

Mounting accessories

USB Signal Tower Light

- 1 : 1 Layer
- 2 : 2 Layers
- 3 : 3 Layers
- 4 : 4 Layers
- 5 : 5 Layers

**SH20** : Horizontal 200mm **SV06** : Vertical 60mm

**SH08** : Horizontal 80mm **G** : Direct connection

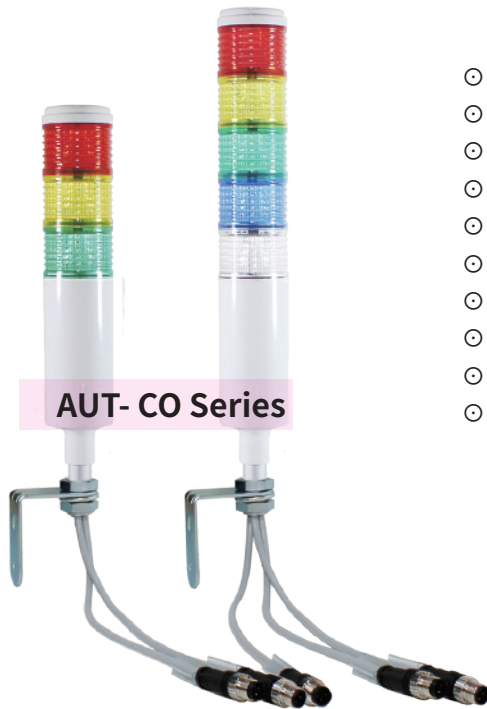
**SH04** : Horizontal 40mm **AP20** : Adjustable Angle 200mm

**SV20** : Vertical 200mm **AP06** : Adjustable Angle 60mm



# AUT - CO Series

## Connector Type Signal Tower Light



AUT- CO Series

- Connector Type Signal Tower Light
- 1 basic sounds (buzzer) are provided
- DC voltage models , available from DC12V to 24V
- Maximum 5 layers of LED Steady type
- Mounting accessories SV 06 pole Available exclusively.
- Outdia : Ø58 / Maximum volume : 90dB
- Cable : M12 4PIN Cable ( Male ) / Cable length : 350mm
- The number of Cable : 1L: 1EA / 2L: 2EA / 3L: 2EA / 4L: 3EA / 5L: 3EA
- Material : **Lens** [GPPS], **Body** [ABS], **Reflector** [PC], **Pole** [Aluminum]
- Operating Temperature : -25°C ~ +50°C (freezing free)



Mount using the SV06 pole only



M12 4PIN Cable ( Male )



# AUT- CO

## Connector Type Signal Tower Light

TYPE	Layer	Voltage	LED Current	Buzzer Current	Height	Weight	Color
AUT-CO	1	DC12V ~ DC24V	77mA	37 mA	305mm	390g	(1L) ● Red(R)
	2		143mA		348mm	469g	(1L) ● Red(R) (2L) ● Green(G)
	3		220mA		381mm	504g	(1L) ● Red(R) (2L) ● Yellow(Y) (3L) ● Green(G)
	4		296mA		424mm	582g	(1L) ● Red(R) (3L) ● Green(G) (2L) ● Yellow(Y) (4L) ● Blue(B)
	5		352mA		467mm	622g	(1L) ● Red(R) (4L) ● Blue(B) (2L) ● Yellow(Y) (5L) ○ White(W) (3L) ● Green(G)



# AUT-40-L/LF Series

## Ø40 Signal Design Tower Light



- LED Steady / Flashing type Design Signal Tower Light
- High brightness LEDs are placed in all four directions and transparent PC cover is used for excellent divergence
- Layer colors cannot be changed
- Outdia : Ø40 / Maximum volume : 90dB
- Using bolt : 4mm, screw type / Material : **Lens** [PC] , **Body** [PC]
- Operating Temperature : -25°C ~ +50°C (freezing free)



# AUT- 40

TYPE	Layer	Voltage	Height	Weight	Color
AUT-40	3	DC24V	270mm	195g	(1L) ● Red(R) (2L) ● Yellow(Y) (3L) ● Green(G)
	5		330mm	230g	(1L) ● Red(R) (4L) ● Blue(B) (2L) ● Yellow(Y) (5L) ○ White(W) (3L) ● Green(G)