

Aluminum Profile Box

Nomenclature

SG - MB - 100 A
 ① ② ③

- ① **Product name**
Multi Box
- ② **Product length**
60 - 4000mm
- ③ **Product type**
M / MA / A / B / C / D / E

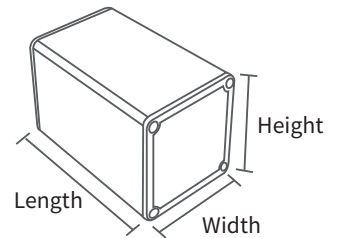


Feature

Made of aluminum profiles, it is light and durable. It comes in a total 7 different types, and can be customized based on customer needs.

Product Specifications

Color: Main body - Silver / Side plate - Orange
 Tolerance: ± 1mm
 Operating temperature: -20°C ~ +70°C
 Material: Aluminum profile (anodizing) /
 ABS incombustible (side plate)



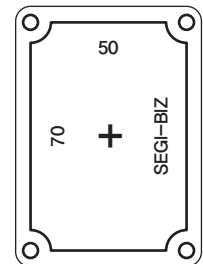
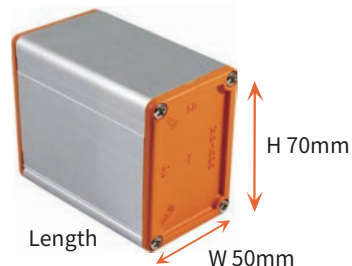
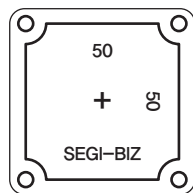
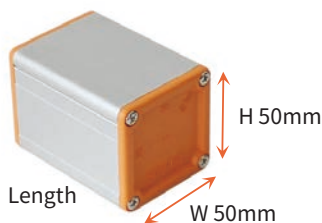
Description

Our aluminum profile boxes are lightweight, rugged and customizable to up to 4M in length. They also allow special marking with round, square, and other special shape-tapping and laser marking as desired. This product is frequently used in various automation facilities and electronic machines, and is convenient to use, as it is specifically designed to be used as a push button box for mechanical equipment.

Example of use



Product Type

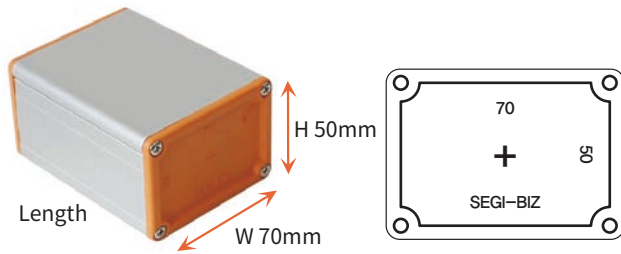


M Type

- Size(mm) : 50(W) mm X 50(H) mm X Length
- Thickness : 1.2 T

MA Type

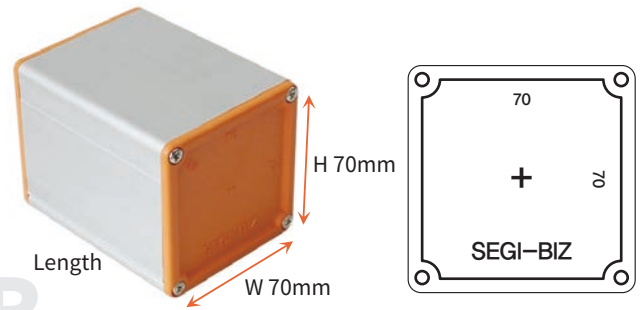
- Size(mm) : 50(W) mm X 70(H) mm X Length
- Thickness : 1.2 T



A

A Type

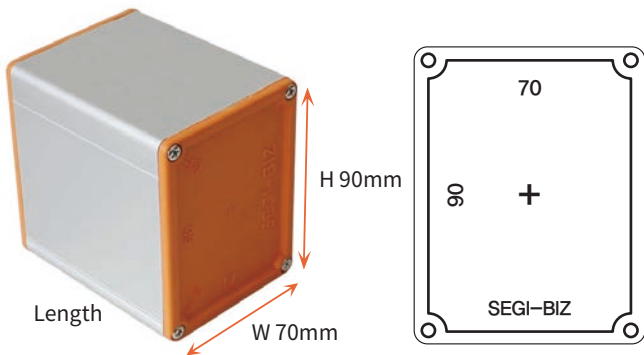
- Size(mm) : 70(W) mm X 50(H) mm X Length
- Thickness : 1.2 T



B

B Type

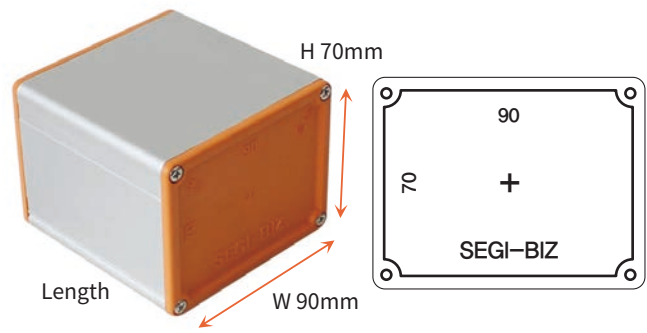
- Size(mm) : 70(W) mm X 70(H) mm X Length
- Thickness : 1.4 T



C

C Type

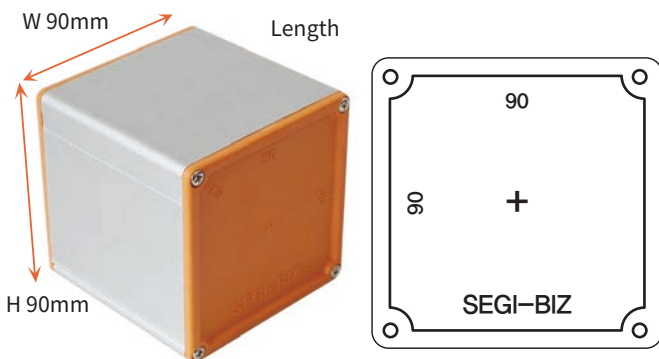
- Size(mm) : 70(W) mm X 90(H) mm X Length
- Thickness : 1.6 T



D

D Type

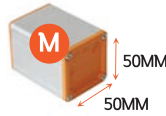
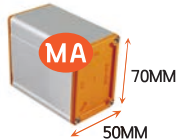
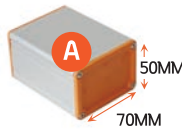
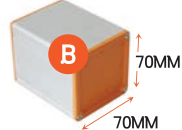
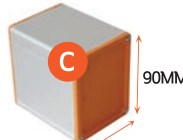
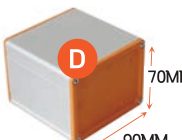
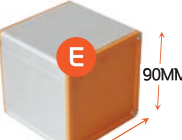
- Size(mm) : 90(W) mm X 70(H) mm X Length
- Thickness : 1.4 T



E

E Type

- Size(mm) : 90(W) mm X 90(H) mm X Length
- Thickness : 1.6 T

Aluminum Profile Box	 Size: 50 X 50 T: 1.2	 Size: 50 X 70 T: 1.2
	 Size: 70 X 50 T: 1.2	 Size: 70 X 70 T: 1.4
	 Size: 70 X 90 T: 1.6	 Size: 90 X 70 T: 1.4
	 Size: 90 X 90 T: 1.6	

Aluminum Profile Push Button Box

Nomenclature

SG - **MS** - **22** **01** **A**

① ② ③ ④

- ① **Product name**
Multi Switch Box
- ② **Hole size**
Ø12 / Ø16 / Ø22 / Ø25 / Ø30
- ③ **Number of holes**
1 / 2 / 3 / 4 / 5 / 6 holes
- ④ **Product type**
M / MA / A / B / C / D / E

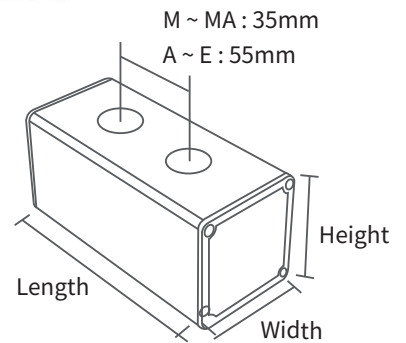


Feature

Because the product has holes (Ø12, Ø16, Ø22, Ø25, Ø30), it can be easily used as a switch box without a separate process. Laser nameplate marking on the product is also available

Product Specifications

Color : Main body - Silver /
Side plate - Orange
Tolerance : ± 1mm
Operating temperature : -20°C ~ +70°C
Material : Aluminum profile (anodizing) /
ABS incombustible (side plate)



Model	Size(mm)				Model	Size(mm)			
	Type	Width	Height	Length		Type	Width	Height	Length
SG-MS-1201	M	50	50	70	SG-MS-1204	M	50	50	175
SG-MS-1601	MA	50	70		SG-MS-1604	MA	50	70	
SG-MS-1202	M	50	50	105	SG-MS-1205	M	50	50	210
SG-MS-1602	MA	50	70		SG-MS-1605	MA	50	70	
SG-MS-1203	M	50	50	140	SG-MS-1206	M	50	50	245
SG-MS-1603	MA	50	70		SG-MS-1606	MA	50	70	
SG-MS-2201	A	70	50	90	SG-MS-2204	A	70	50	255
SG-MS-2501	B	70	70		SG-MS-2504	B	70	70	
SG-MS-3001	C	70	90		SG-MS-3004	C	70	90	
	D	90	70		SG-MS-2204	D	90	70	
	E	90	90		SG-MS-2504	E	90	90	
SG-MS-2202	A	70	50	145	SG-MS-2205	A	70	50	310
SG-MS-2502	B	70	70		SG-MS-2205	B	70	70	
SG-MS-3002	C	70	90		SG-MS-2505	C	70	90	
	D	90	70		SG-MS-3005	D	90	70	
	E	90	90		SG-MS-2205	E	90	90	
SG-MS-2203	A	70	50	200	SG-MS-2206	A	70	50	365
SG-MS-2503	B	70	70		SG-MS-2206	B	70	70	
SG-MS-3003	C	70	90		SG-MS-2506	C	70	90	
	D	90	70		SG-MS-3006	D	90	70	
	E	90	90		SG-MS-2506	E	90	90	

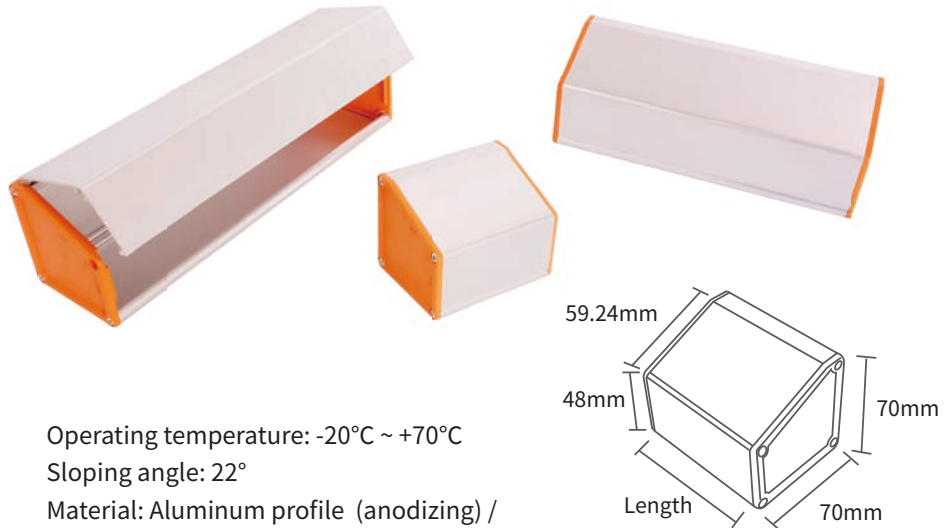
Aluminum Profile Box Sloped Type

Nomenclature

SG - **MP** - **100**

① ②

- ① **Product name**
Multi Pentagon Box
- ② **Product length**
100 - 4000mm



Product Specifications

Color: Main body - Silver /
Side plate - Orange
Tolerance: ± 1mm

Operating temperature: -20°C ~ +70°C
Sloping angle: 22°
Material: Aluminum profile (anodizing) /
ABS incombustible (side plate)

Description

Like a general profile box, this allows you to work on the name plate with the product length and special hole processing and laser marking. In particular, the profile sloped box, with its sloped top surface, is more convenient when used as a push button box, and is excellent in terms of exterior appearance.

Aluminum Profile Push Button Box Sloped Type

Nomenclature

SG - **MP** - **22** | **01**

① ② ③

- ① **Product name**
Multi Switch Pentagon Box
- ② **Hole size**
Ø22 / Ø25 / Ø30
- ③ **Number of holes**
1 / 2 / 3 / 4 / 5 / 6 holes



Model	Hole	Ø	Length (mm)	Model	Hole	Ø	Length (mm)
SG-MP-2201	1 holes	22	90	SG-MP-2204	4 holes	22	255
SG-MP-2501		25		SG-MP-2504		25	
SG-MP-3001		30		SG-MP-3004		30	
SG-MP-2202	2 holes	22	145	SG-MP-2205	5 holes	22	310
SG-MP-2502		25		SG-MP-2505		25	
SG-MP-3002		30		SG-MP-3005		30	
SG-MP-2203	3 holes	22	200	SG-MP-2206	6 holes	22	365
SG-MP-2503		25		SG-MP-2506		25	
SG-MP-3003		30		SG-MP-3006		30	

Aluminum Profile Industrial Socket Box

Nomenclature

SG - MC - 01 (406502V)
 ① ② ③

- ① **Product name**
Multi Socket Box
- ② **Number of Socket**
1 / 2 / 3 / 4ea
- ③ **Number of industrial Sockets**
406502V / 406506V



SG-MC-02
(406506V)

SG-MC-01
(406502V)

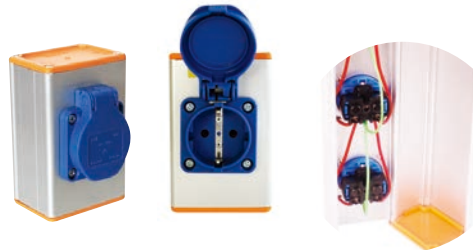
Model	Size(mm)		
	Width	Height	Length
SG-MC-01 (406502V / 406506V)	90	70	140
SG-MC-02 (406502V / 406506V)			250
SG-MC-03 (406502V / 406506V)			360
SG-MC-04 (406502V / 406506V)			470

Aluminum Profile Socket Box

Nomenclature

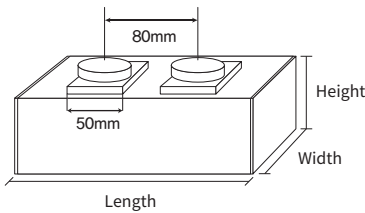
SG - MC - 01
 ① ②

- ① **Product name**
Multi Socket Box
- ② **Number of Sockets**
1 / 2 / 3 / 4 / 5 / 6ea



Specifications

Color: Main body - Silver / Side plate - Orange
 Voltage / Current: AC220V~240V / 16A
 Tolerance: ± 1mm
 Operating temperature: -20°C ~ +70°C
 ※ Can be customized



Model	Size(mm)			Model	Size(mm)		
	Width	Height	Length		Width	Height	Length
SG-MC-01	70	50	108	SG-MC-04	70	50	348
SG-MC-02			188	SG-MC-05			428
SG-MC-03			268	SG-MC-06			508

Nomenclature

SG - MC L - 02
 ① ② ③

- ① **Product name**
Multi Socket Box
- ② **Outlet direction**
Horizontal type (W) / Vertical type (L)
- ③ **Number of Sockets**
2 / 4 / 6 / 8ea

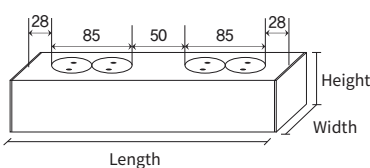
■ Vertical type (L)

■ Horizontal type (W)



Specifications

Color: Main body - Silver / Side plate - Orange
 Operating temperature: -20°C ~ +70°C
 ※ AC 110V 220V types are available / Can be customized



Model	Size(mm)			Model	Size(mm)		
	Width	Height	Length		Width	Height	Length
SG-MCL(W)-02	70	50	141	SG-MCL(W)-06	70	50	411
SG-MCL(W)-04			276	SG-MCL(W)-08			546

Aluminum Profile Socket Box Sloped Type

Nomenclature

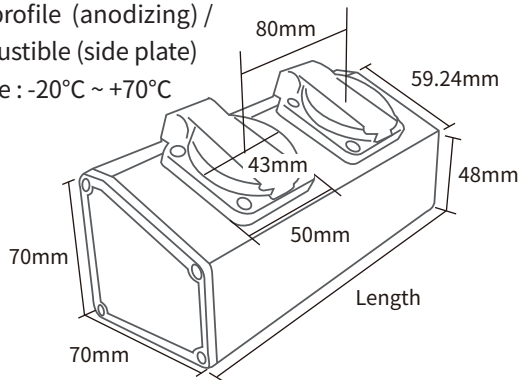
SG - **MP** - **01**
 ① ②

- ① **Product name**
Multi Pentagon Socket Box
- ② **Number of Sockets**
1 / 2 / 3 / 4 / 5 / 6ea



Product Specifications

Color : Main body - Silver / Side plate - Orange / Socket - Blue
 Voltage / Current : AC220V~240V / 16A
 Material : Aluminum profile (anodizing) /
 ABS incombustible (side plate)
 Operating temperature : -20°C ~ +70°C
 Sloping angle : 22°



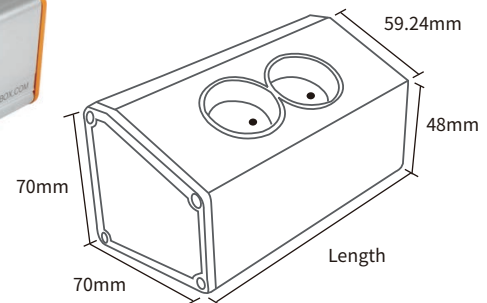
※ Tolerance : ± 1mm

Model	Size(mm)		
	Width	Height	Length
SG-MP-01	70	70	108
SG-MP-02			188
SG-MP-03			268
SG-MP-04			348
SG-MP-05			428
SG-MP-06			508

Nomenclature

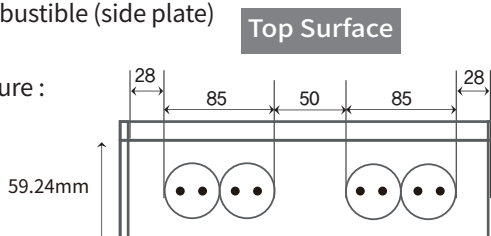
SG - **MP** **W** - **02**
 ① ② ③

- ① **Product name**
Multi Pentagon Socket Box
- ② **Outlet direction**
Horizontal type (W)
- ③ **Number of Sockets**
2 / 4 / 6 / 8ea



Product Specifications

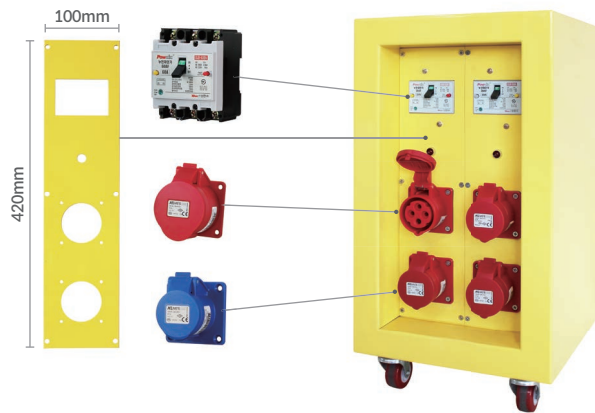
Color : Main body - Silver / Side plate - Orange
 Material : Aluminum profile (anodizing) /
 ABS incombustible (side plate)
 Tolerance : ± 1mm
 Operating temperature :
 -20°C ~ +70°C
 Sloping angle : 22°



Model	Size(mm)		
	Width	Height	Length
SG - MPW - 02	70	70	141
SG - MPW - 04			276
SG - MPW - 06	70	70	411
SG - MPW - 08			546

※ Various user options and customizations available

Breaker Type Mobile Industrial Socket Box



Portable Power Supply		
Box	Size	300(W) X 520(H) X 300(D)mm
	Thickness / Weight	1.6T / 19kg
Circuit breaker	Type	ELB-3P (2ea)
	Breaking Capacity	2.5kA
Socket	Type	406506V(4P16)
	EA	4
	Voltage	380-415V
	Current	16A
	Protection Rating	IP44

Product Specifications

Color : Yellow Material : Steel Circuit breaker's Voltage / Current : AC460V / 30A
 Tolerance : ± 1mm Operating temperature : -20°C ~ +70°C ※ Can be customized

※ The socket type can be changed by the customer.
 ※ 30A, 50A, 60A
 ※ Single or Three - phase types can be customized.

Description

30A, 50A, 60A improves the traditional method of supplying power by connecting wires directly to the distribution board, making it simple to supply power to the plug. It has a short circuit breaker that fits the capacity to prevent accident and saves space with its compact design.

Breaker Type Industrial Socket Box

Specifications

Color: Main body - Silver / Side plate - Orange Material : Aluminum profile (anodizing) / Flame-resistant ABS (side plate)
 Tolerance : ± 1mm Operating temperature : -20°C ~ +70°C ※ Can be customized



Model	SG-MC-N-02-SS(30A)	SG-MC-N-02-SL(30A)	SG-MC-N-02-S(60A)	SG-MC-N-02-T(30A)	SG-MC-N-02-T(50A)	SG-MC-N-02-T(60A)
Box	Size	70 X 70 X 310mm	90 X 70 X 420mm	90 X 70 X 420mm	90 X 70 X 420mm	90 X 70 X 420mm
	Thickness	1.4T	1.4T	1.4T	1.4T	1.4T
Circuit Breaker	Type	ELB-2P	ELB-2P	ELB-2P	ELB-3P	ELB-3P
	Rated Voltage	AC220V	AC220V	AC220V	AC460V	AC460V
	Rated Current	30A	30A	60A	30A	50A
	Breaking Capacity	2.5kA	5kA	5kA	2.5kA	2.5kA
Socket	Type	404030ST06 (2P16)	406502V (3P16)	406514V (4P32)	406506V (4P16)	406506V(4P16) / 406518V(4P32)
	EA	2ea	2ea	2ea	2ea	1ea / 1ea
	Voltage	220-240V	220-250V	220-250V	380-415V	380-415V
	Current	16A	16A	32A	16A	16A / 32A
	Protection rating	IP54	IP44	IP44	IP44	IP44