

**METESOLID**<sup>®</sup>  
rubber plugs and sockets

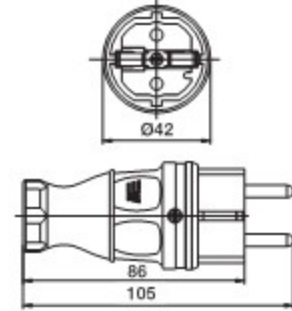
# ***RUBBER PLUGS & SOCKETS***

## General Features of Plugs



404001

- IP44 Protection Degree
- For Toughest Conditions
- Durable Rubber
- Double Earth System
- Easy To Use
- Solid Design
- Time Saving Easy Installation
- Wide Connection Range

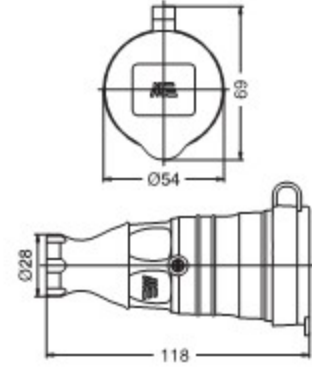


## Sockets



404010

- IP44 Protection Degree
- For Toughest Conditions
- Durable Rubber
- Double Earth System
- Easy To Use
- Solid Design
- Time Saving Easy Installation
- Wide Connection Range



### INSERTS

Material	PA6
Poles	2P+E
Electrical Data	16A 250V
Rated Current	16A
Voltage	250V
Impact Resistance	2 kV
Isolation Resistance	$\geq 5^{10} \Omega$
Flammability acc. to UL 94	V0
Mechanical Operating Life	$\geq 10.000$

### CONTACTS

Material	Brass
Surface	Nickel Plate
Contact Resistance	$\geq 1m \Omega$
Connection Type	Screw Connection

### HOUSINGS

Material	TPE
Protection Degree	IP44



### 1x16A (2P+E) - 220-240 V RUBBER PLUGS AND SOCKETS | Austrian/German System



Product Code	Description	IP Degree	Box Qty.
404001	Plug	IP44	30
404003	Angled Plug	IP44	30
404005	2 Way Connector	IP44	10
404007	4 Way Connector	IP44	6
404009	Wall Socket Outlet Angled	IP44	8
404010	Connector	IP44	20
404012	Wall Socket Outlet	IP44	20
404014	3 Way Connector	IP44	6
404029	Connector without Cover	IP21X	20



### 1x16A (2P+E) - 220-240 V RUBBER PLUGS AND SOCKETS | French/Belgian System



Product Code	Description	IP Degree	Box Qty.
404002	Plug	IP44	30
404004	Angled Plug	IP44	30
404006	2 Way Connector	IP44	10
404008	4 Way Connector	IP44	6
404049	Wall Socket Outlet Angled	IP44	8
404011	Connector	IP44	20
404013	Wall Socket Outlet	IP44	20
404015	3 Way Connector	IP44	6



### 1x16A (2P+E) - 220-240 V SOCKETS | Austrian/German System



Product Code	Description	Cable Entry	IP Degree	Box Qty.
40402005	Schuko Socket Outlet (Flange: 75x75)	Side	IP44	20
40404005	Schuko Socket Outlet (Flange: 75x75)	Side	IP54	20
40402605	Schuko Socket Outlet (Flange: 75x75)	Back	IP44	20
40404605	Schuko Socket Outlet (Flange: 75x75)	Back	IP54	20



### 1x16A (2P+E) - 220-240 V SOCKETS | French/Belgian System



Product Code	Description	Cable Entry	IP Degree	Box Qty.
40402105	Socket Outlet (Flange: 75x75)	Top	IP44	20
40404205	Socket Outlet (Flange: 75x75)	Side	IP54	20

